

Data Sheet

VIVO™

Double Powerpoint Grid & Mechanism only, 10A

CAT NO. EV777GMWE, EV777GMGR



A brand of legrand®



EV777GMWE



EV777GMGR

Cat No.	EV777GMWE	EV777GMGR
Description	Vivo™ Double Powerpoint Grid & Mechanism only, 10A	
Colour	White (WE)	Dark Grey (GR)
Supply voltage	230-240V a.c.	
Current rating	10A	
Mounting centres	84mm	
Compliance	AS/NZS 3112	

VIVO™

Double Powerpoint Grid & Mechanism only, 10A

CAT NO. **EV777GMWE, EV777GMGR**



A brand of **legrand**



EV777GMWE



EV777GMGR

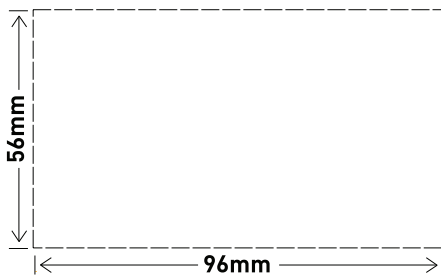
- Small Footprint (fit 2 x Ø40mm cut-outs)
- Internal safety shutters for extra safety
- Captive terminal screws
- Carburised steel and deep head screws
- Angled terminal screws for ease of use with power tools
- Funnel shape cable terminals
- Raised insulated barriers on terminals
- Elongated oblong mounting holes for better levelling
- Assembly with VIVO™ coverplates

Single product (Qty 1)		
Cat No.	Barcode	Dimensions (W x H)
EV777GMWE	9321001465409	101 x 212mm
EV777GMGR	9321001465324	101 x 212mm

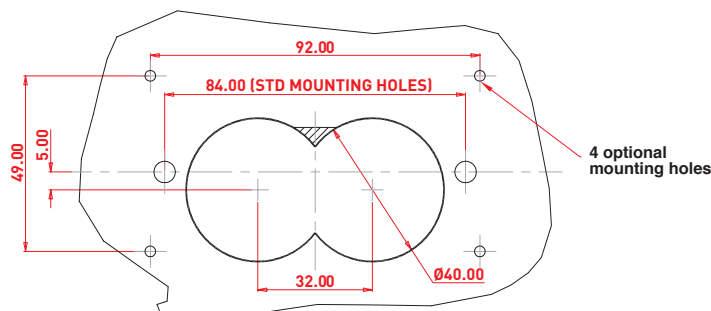
Inner box (Qty 10)		
Cat No.	Barcode	Dimensions (W x H x D)
EV777GMWE	9321001466559	163 x 174 x 124mm
EV777GMGR	9321001466574	163 x 174 x 124mm

Outer box (Qty 120)		
Cat No.	Barcode	Dimensions (W x H x D)
EV777GMWE	9321001467892	387 x 272 x 515mm
EV777GMGR	9321001467823	387 x 272 x 515mm

Glass and tile cut-out dimensions:



Timber cut-out dimensions:



Legrand Australia
1300 369 777
www.hpm.com.au
ABN 31 000 102 661

Legrand New Zealand
0800 476 009
www.hpm.co.nz

Refer to your group buying office, Legrand Sales Representative or Legrand Sales Office for pricing.

Please note: specifications are subject to change without prior notice.